



Instruction Manual

Fixed Handle Scissors Lift Tables

Part Number: 260199 & 260200



Note: Operator MUST read and understand these operating instructions before using this Truck.

TABLE OF CONTENTS

1	General Information	2
1.1	Description.....	2
1.2	Specifications.....	2
2	Safety Information.....	2
3	Daily Inspection	3
4	Operation.....	3
4.1	Braking.....	3
4.2	Lifting.....	3
4.3	Lowering.....	3
5	Maintenance.....	3
6	260199 Part Information.....	4
6.1	Frame Part Diagram.....	4
6.2	Frame Part List.....	5
6.3	Pump Part Diagram.....	6
6.4	Pump Part List.....	7
7	260200 Part Information.....	8
7.1	Frame Part Diagram.....	8
7.2	Frame Part List.....	9
7.3	Pump Part Diagram.....	10
7.4	Pump Part List.....	11

ATTENTION: TO INSURE SAFE AND EASY USE OF YOUR WESCO SCISSOR LIFT TABLE, READ THESE INSTRUCTIONS ENTIRELY BEFORE USING.

1. GENERAL INFORMATION

1.1 DESCRIPTION

Thank you for purchasing a Wesco Fixed Handle Scissor Lift Table. This table is made of high quality steel and is designed for horizontal lifting and transportation of loads on a level, fixed base. For safe operation of this unit, please carefully read these instructions before use and keep it on file for reference.

1.2 SPECIFICATIONS

Part Number	260199	260200
Model Number	LT-700SL	LT-1000SL
Capacity	700 lbs	1,000 lbs
Table Size	19.5" x 32"	19.5" x 32"
Table Top Thickness	.1"	.1"
Raised Height	35"	51"
Lowered Height	14"	14"
Caster Size	5" x 1.5"	5" x 1.5"
Locking Caster (LC)	Yes	Yes
Weight	170 lbs	185 lbs

Materials and specifications are subject to change without notice.

2. SAFETY INFORMATION

- 1) Read these instructions carefully before operation and get to know the performance and operation requirements of the lift table.
- 2) Do not overload the hydraulic lift table. Overloading will cause damage to the hydraulic lift table.
- 3) It is forbidden for operators to stand or sit on the table during operation.
- 4) Do not insert hands or feet under the lowering table.
- 5) Brake the table when loading goods to prevent it from moving.
- 6) Off-set loading is forbidden when loading goods, goods should be distributed uniformly over the table.
- 7) Loose or unstable goods are not permitted to be loaded.
- 8) The table can't be moved when goods are being lifted.
- 9) The table can only be moved on flat and hard ground, do not use on sloped or rugged ground;
- 10) When putting goods on the table which has been hoisted, the weight of goods should be within rated load.
Note: The safety valve only works in the hoisting process, if the table has been hoisted, and then has overweight load on it, the safety valve will not work (also possibly damaging the unit).
- 11) When loading and unloading goods on hoisted table, don't drag goods in cross direction, which may cause serious off-set loading and make the table turn over.
- 12) When maintaining and repairing the table, the stand bar should be used to support fork arm in order to prevent table from falling (there should be no load on the table).

ATTENTION: TO INSURE SAFE AND EASY USE OF YOUR WESCO SCISSOR LIFT TABLE, READ THESE INSTRUCTIONS ENTIRELY BEFORE USING.

3. DAILY INSPECTION

Daily inspection is an effective method to find any malfunctions or faults on the lift table. Check lift table on the following points before operation.

- 1) Check for scratches, bending or cracking on the lift table.
- 2) Check for any oil leakage from the cylinder.
- 3) Check the vertical creep of the table.
- 4) Check for smooth movement of the wheels.
- 5) Check the function of brake.
- 6) Check to make sure all the bolts and nuts are tightened firmly.

4. OPERATION

4.1 Braking

CAUTION: Lift the brake when not moving it in order to prevent sudden movement.

The brake is equipped with the swivel caster on the right side.

- 1) Brake the wheel by pressing the brake pedal.
- 2) Release the brake by lifting up the brake pedal.

4.2 Lifting

Warning

- 1) Do not overload lift table. Stay within its rated capacity.
- 2) Do not side or end. Load must be distributed on at least 80% of table area.

Press the lifting pedal several times until the table reaches the desired position. The table does not elevate after reaching the highest position even if the lifting pedal is pressed. The table lowers slightly after reaching the highest position.

Model	LT-700SL	LT-1000SL
Part Number	260199	260200
Max Capacity (lbs)	700	1,000

Note: The hydraulic cylinder is designed to hold the table. The nature of hydraulic systems cause the table to lower very slowly over an extended period of time. Please note the table does not stay at the same position indefinitely.

4.3 Lowering

Warning: Do not put foot or hand in scissors mechanism

- 1) Rotating the knob lowers the table.

5. MAINTENANCE

5.1 Lubricate each point described below every month

5.2 Change hydraulic oil every 12 months.

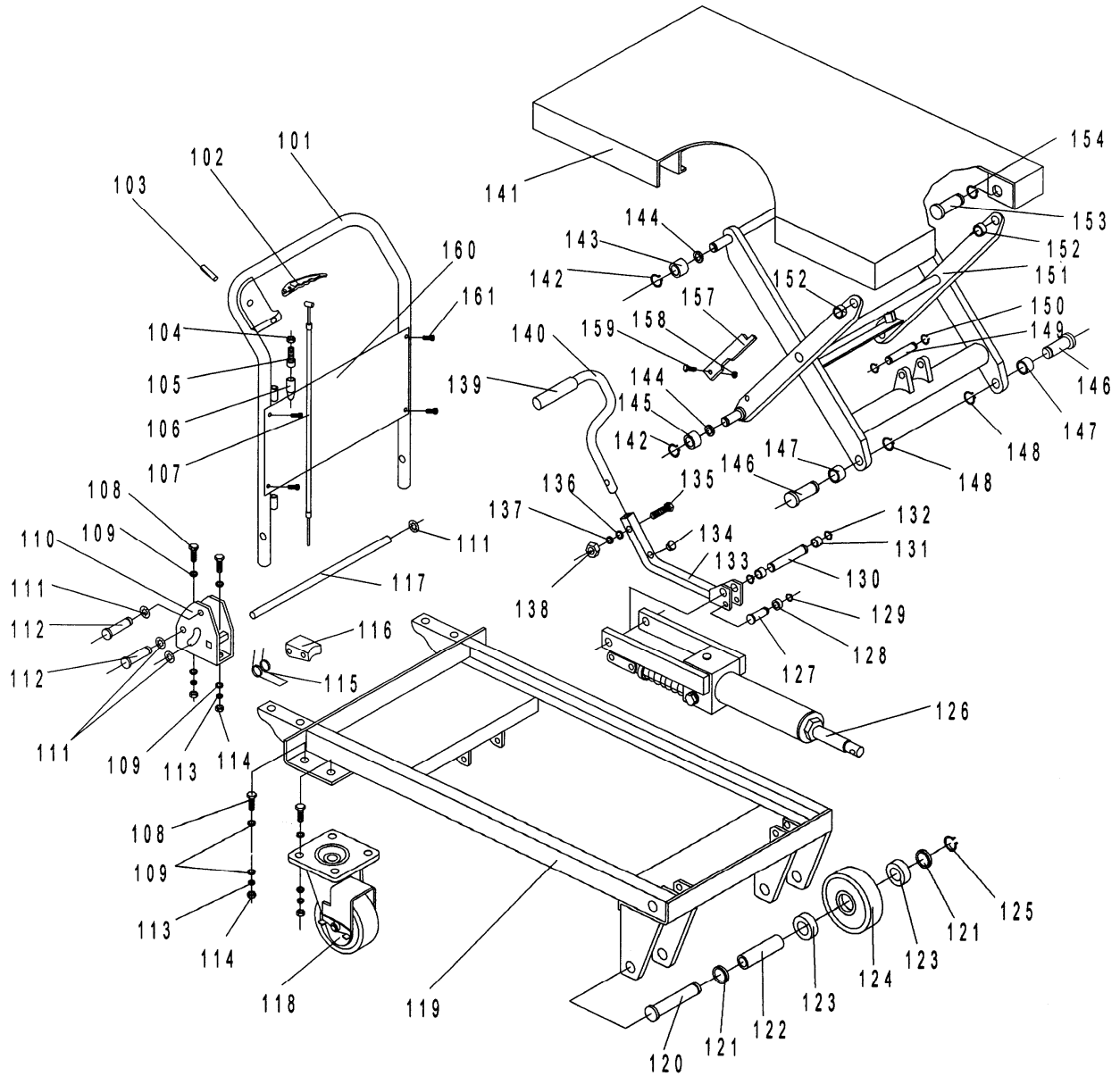
Lubricating Points

- 1) Fitting of Cylinder – Oil
- 2) Roller Friction Surface – Grease
- 3) Link Pin – Oil
- 4) Pedal Fitting Point – Oil
- 5) Grease Nipple - Grease

ATTENTION: TO INSURE SAFE AND EASY USE OF YOUR WESCO SCISSOR LIFT TABLE, READ THESE INSTRUCTIONS ENTIRELY BEFORE USING.

6. 260199 PART INFORMATION

6.1 FRAME DIAGRAM



ATTENTION: TO INSURE SAFE AND EASY USE OF YOUR WESCO SCISSOR LIFT TABLE, READ THESE INSTRUCTIONS ENTIRELY BEFORE USING.

6. 260199 PART INFORMATION

6.2 FRAME PARTS LIST

Item	P/N	Description	Qty.
101		Handle Grip	1
102	260252	Control Handle	1
103		Elastic Pin	1
104		Nut	1
105		Bolt with Hole	1
106		Jacket	1
107		Pull Rod	1
108			Bolt
109		Washer	12
110		Seat of Grip	2
111		Retaining Ring	6
112		Pin	4
113		Elastic Washer	12
114		Nut	12
115		Spring	2
116		Cushion	2
117		Long Shaft	1
*118		Caster	2
119		Frame	1
*120		Pin	2
*121		Washer	4
*122		Axle	2
*123		Bearing	4
*124		Wheel	2
*125		Retaining Ring	2
126		Pump Unit	1
127		Pin	1
128		Washer	1
129		Retaining Ring	1
130		Pin	1

No.	P/N	Description	Qty.
131		Washer	2
132		Retaining Ring	2
133		Connecting Rod	1
134		Cushion	1
135		Bolt	1
136		Washer	1
137		Elastic Washer	1
138		Nut	1
139		Protecting Cover	1
140		Pedal Bar	1
141		Table	1
142		Retaining Ring	4
143		Roller	2
144		Washer	4
145		Roller	2
146		Pin	2
147		Bushing	2
148		Retaining Ring	2
149		Pin	1
150		Retaining Ring	2
151		Fork Arm	1
152		Bushing	2
153		Pin	2
154		Retaining Ring	2
157		Support Plank	2
158		Nut	2
159		Screw	2
160		Protecting Board	1
161		Bolt	4

*Item Available in Kit Listed Below

Replacement Kits (Units Purchased Before 02/2001)

	151542	Replacement Wheel with Nylon Hub & Bearing (Items 123 & 124)	1
	151543	Replacement Caster with Nylon Hub (Item 118)	1
	260202	Release Knob	1
	260203	Set Screw	1

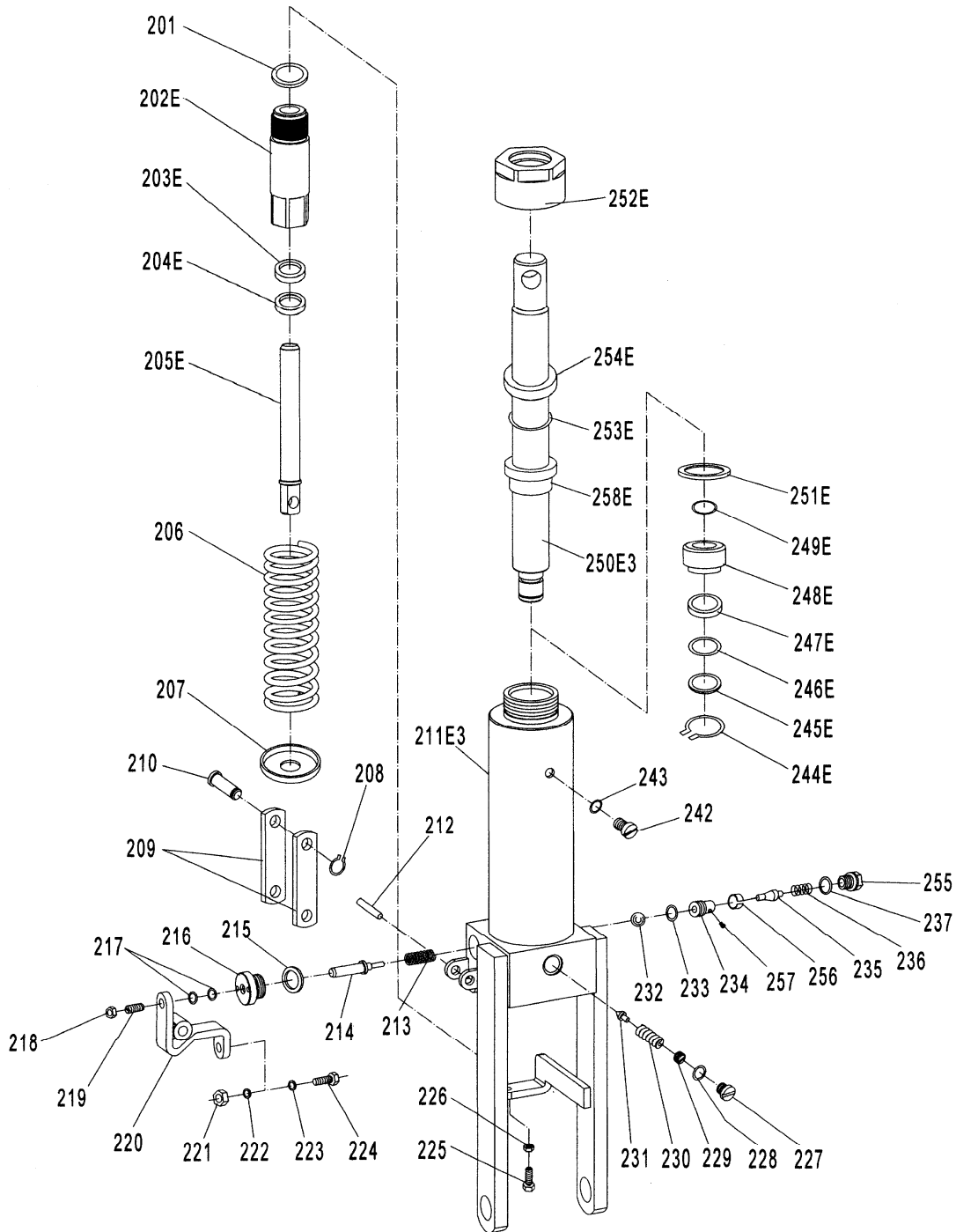
Replacement Kits (Units Purchased After 02/2001)

	270891	Front Wheel Assembly (Items 120-125)	2
	270890	Swivel Caster (Item 118)	2
	260252	Handle Release Assembly (Items 102-107)	1

ATTENTION: TO INSURE SAFE AND EASY USE OF YOUR WESCO SCISSOR LIFT TABLE, READ THESE INSTRUCTIONS ENTIRELY BEFORE USING.

6. 260199 PART INFORMATION

6.3 PUMP DIAGRAM



ATTENTION: TO INSURE SAFE AND EASY USE OF YOUR WESCO SCISSOR LIFT TABLE, READ THESE INSTRUCTIONS ENTIRELY BEFORE USING.

6. 260199 PART INFORMATION

6.4 PUMP PARTS LIST

Item	P/N	Description	Qty.
201		Seal Washer	1
202E		Pump Cylinder	1
203E		Dust Ring	1
204E		Y-Seal	1
205E		Pump Piston	1
206		Spring	1
207		Spring Cap	1
208		Retaining Ring	1
209		Joint Plate	2
210		Pin	1
211E3		Pump Body	1
212		Elastic Pin	1
213		Spring	1
214		Strike Pin	1
215		Seal Washer	1
216		Axle Sleeve	1
217		O-Ring	2
218		Nut	1
219		Screw	1
220		Lever Plate	1
221		Nut	1
222		Elastic Washer	1
223		Washer	1
224		Bolt with Hole	1
225		Bolt with Hole	1
226		Nut	1
227		Plug	1

Item	P/N	Description	Qty.
228		O-Ring	1
229		Adjusting Bolt	1
230		Spring	1
231		Spindle of Safety Valve	1
232		Steel Ball	1
233		O-Ring	1
234		Seat of Pumping Valve	1
235		Spindle of Pumping Valve	1
236		Spring	1
237		Seal Washer	1
242		Bolt	1
243		Seal Washer	1
244E		Retaining Ring	1
245E		Washer	1
246E		O-Ring	1
247E		Cup Packing	1
248E		Piston	1
249E		O-Ring	1
250E3		Piston Rod	1
251E		Seal Washer	1
252E		Cylinder Cap	1
253E		O-Ring	1
254E		Dust Ring	1
255		Plug	1
256		Liquid Throttle Sheath	1
257		Bolt	1
258E		Sleeve	1

Replacement Kits (Units Purchased Before 02/2001)

	151540	Complete Replacement Pump Unit	1
--	--------	--------------------------------	---

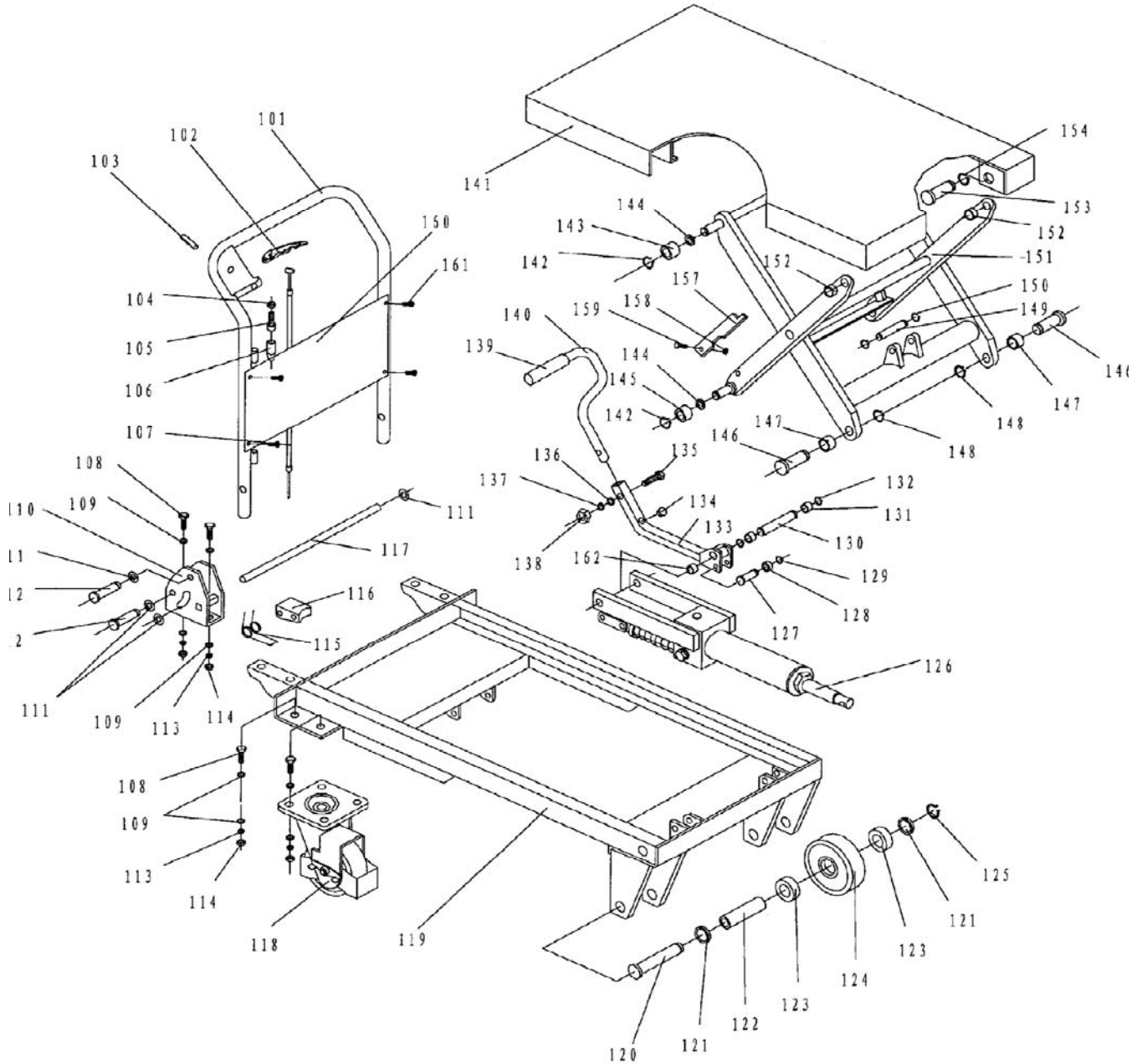
Replacement Kits (Units Purchased After 02/2001)

	151544	Complete Replacement Pump Unit	1
	270227	Seal Kit	1

ATTENTION: TO INSURE SAFE AND EASY USE OF YOUR WESCO SCISSOR LIFT TABLE, READ THESE INSTRUCTIONS ENTIRELY BEFORE USING.

7. 260200 PART INFORMATION

7.1 FRAME DIAGRAM



ATTENTION: TO INSURE SAFE AND EASY USE OF YOUR WESCO SCISSOR LIFT TABLE, READ THESE INSTRUCTIONS ENTIRELY BEFORE USING.

7. 260200 PART INFORMATION

7.2 FRAME PARTS LIST

Item	P/N	Description	Qty.
101		Handle Grip	1
*102	260252	Control Handle	1
*103		Elastic Pin	1
*104		Nut	1
*105		Bolt with Hole	1
*106		Jacket	1
*107		Pull Rod	1
108			Bolt
109		Washer	12
110		Seat of Grip	2
111		Retaining Ring	6
112		Pin	4
113		Elastic Washer	12
114		Nut	12
115		Spring	2
116		Cushion	2
117		Long Shaft	1
*118		Universal Wheel	2
119		Frame	1
*120		Pin	2
*121		Washer	4
*122		Axle	2
*123		Bearing	4
*124		Wheel	2
*125		Retaining Ring	2
126		Pump Unit	1
127		Pin	1
128		Washer	1
129		Retaining Ring	1
130		Pin	1

No.	P/N	Description	Qty.
131		Washer	2
132		Retaining Ring	2
133		Connecting Rod	1
134		Cushion	1
135		Bolt	1
136		Washer	1
137		Elastic Washer	1
138		Nut	1
139		Protecting Cover	1
140		Pedal Bar	1
141		Table	1
142		Retaining Ring	4
143		Roller	2
144		Washer	4
145		Roller	2
146		Pin	2
147		Bushing	2
148		Retaining Ring	2
149		Pin	1
150		Retaining Ring	2
151		Fork Arm	1
152		Bushing	2
153		Pin	2
154		Retaining Ring	2
157		Support Plank	2
158		Nut	2
159		Screw	2
160		Protecting Board	1
161		Bolt	4
162		Bushing	2

*Item Available in Kit Listed Below

Replacement Kits (Units Manufactured Before 11/2000)

	151552	Replacement Wheel with Nylon Hub & Bearing (Items 123 & 124)	2
	151553	Replacement Caster With Nylon Hub (Item 118)	2
	260202	Release Knob	1
	260203	Set Screw	1

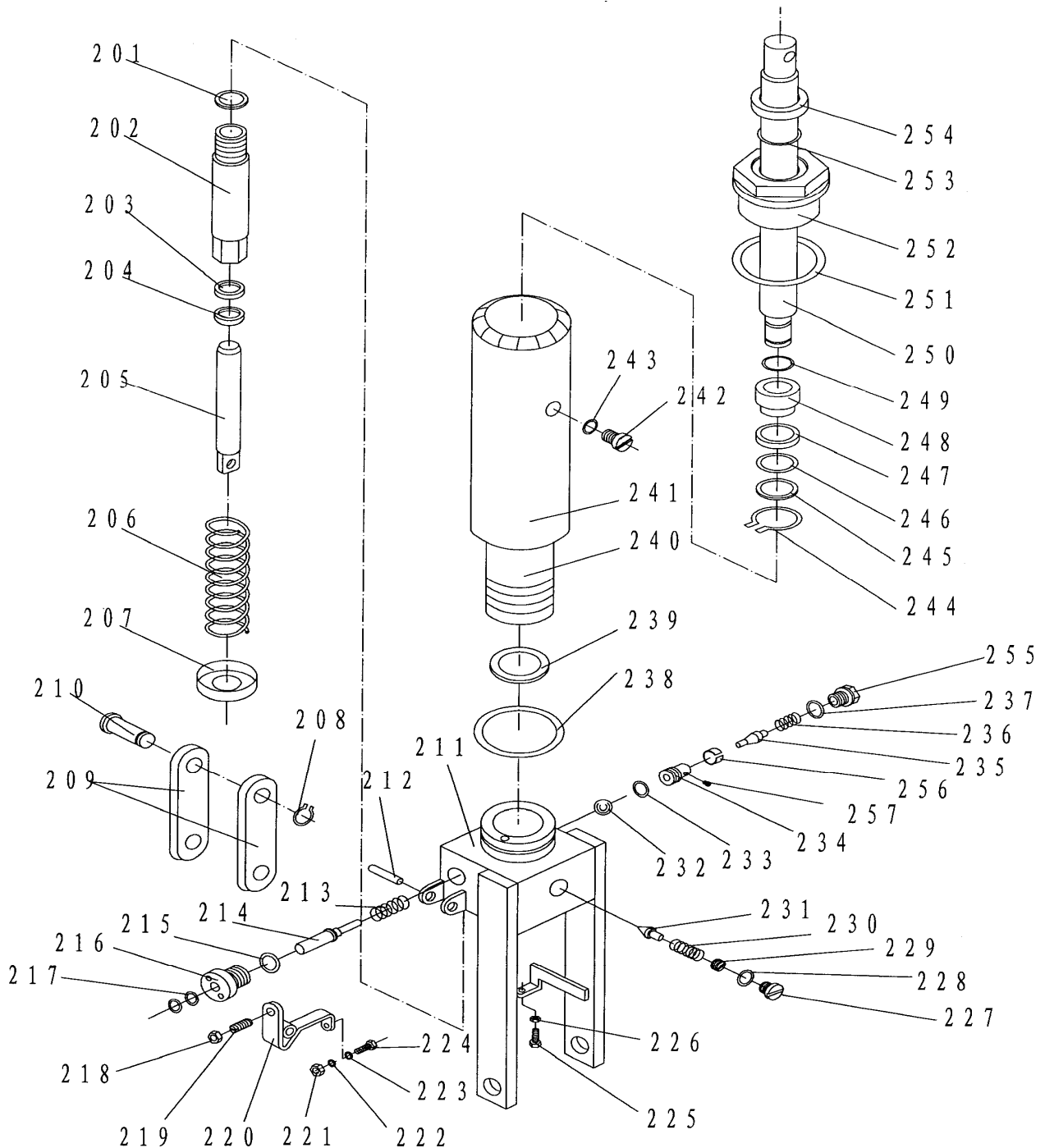
Replacement Kits (Units Manufactured After 11/2000)

	270893	Front Wheel Assembly (Items 120-125)	2
	270890	Swivel Caster (Item 118)	2
	260252	Handle Release Assembly (Items 102-107)	1

ATTENTION: TO INSURE SAFE AND EASY USE OF YOUR WESCO SCISSOR LIFT TABLE, READ THESE INSTRUCTIONS ENTIRELY BEFORE USING.

7. 260200 PART INFORMATION

7.3 PUMP DIAGRAM



ATTENTION: TO INSURE SAFE AND EASY USE OF YOUR WESCO SCISSOR LIFT TABLE, READ THESE INSTRUCTIONS ENTIRELY BEFORE USING.

7. 260200 PART INFORMATION

7.4 PUMP PARTS LIST

Item	P/N	Description	Qty.
		Complete Pump Unit	1
		Seal Kit	1
201		Seal Washer	1
202E		Pump Cylinder	1
203E		Dust Ring	1
204E		Y-Seal	1
205E		Pump Piston	1
206		Spring	1
207		Spring Cap	1
208		Retaining Ring	1
209		Joint Plate	2
210		Pin	1
211E3		Pump Body	1
212		Elastic Pin	1
213		Spring	1
214		Strike Pin	1
215		Seal Washer	1
216		Axle Sleeve	1
217		O-Ring	2
218		Nut	1
219		Screw	1
220		Lever Plate	1
221		Nut	1
222		Elastic Washer	1
223		Washer	1
224		Bolt with Hole	1
225		Bolt with Hole	1
226		Nut	1

Item	P/N	Description	Qty.
227		Plug	1
228		O-Ring	1
229		Adjusting Bolt	1
230		Spring	1
231		Spindle of Safety Valve	1
232		Steel Ball	1
233		O-Ring	1
234		Seat of Pumping Valve	1
235		Spindle of Pumping Valve	1
236		Spring	1
237		Seal Washer	1
242		Bolt	1
243		Seal Washer	1
244E		Retaining Ring	1
245E		Washer	1
246E		O-Ring	1
247E		Cup Packing	1
248E		Piston	1
249E		O-Ring	1
250E3		Piston Rod	1
251E		Seal Washer	1
252E		Cylinder Cap	1
253E		O-Ring	1
254E		Dust Ring	1
255		Plug	1
256		Liquid Throttle Sheath	1
257		Bolt	1
258E		Sleeve	1

Replacement Kits (Units Manufactured Before 11/2000)

	151541	Complete Replacement Pump Unit	1
--	--------	--------------------------------	---

Replacement Kits (Units Manufactured After 11/2000)

	151545	Complete Replacement Pump Unit	1
	270227	Seal Kit	1